

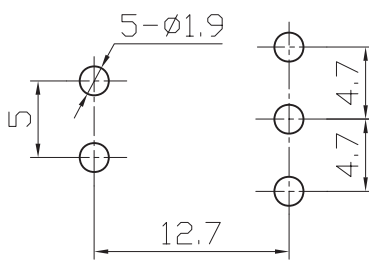
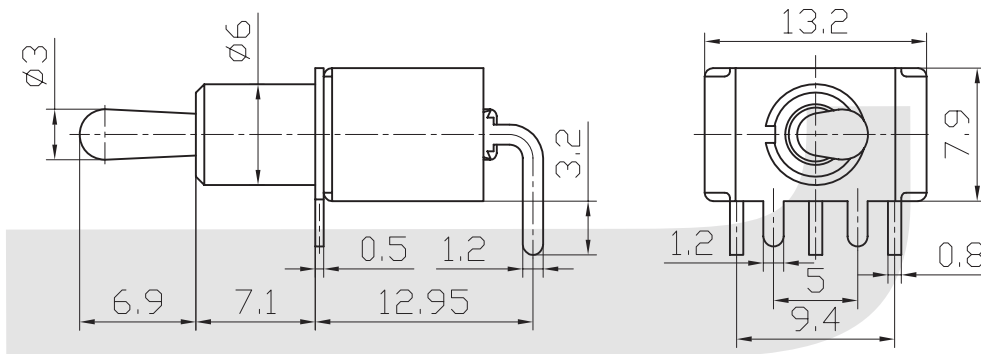
Switch

Toggle Switch Series

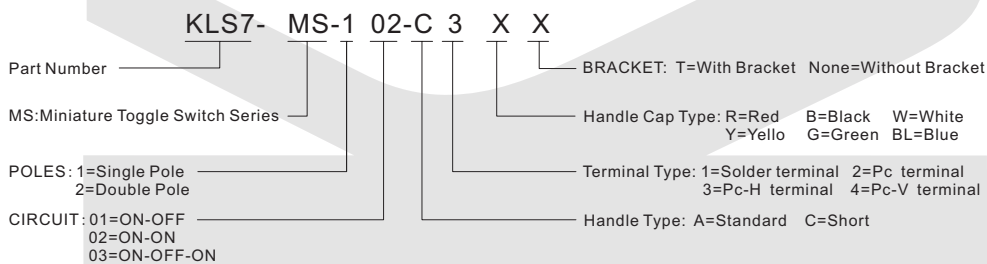
KLS7-MS-102-C3 Miniature Toggle Switch Series

SPECIFICATIONS

- Rating: 5A 125VAC; 2A 250VAC
- Contact Resistance: 20MΩ max
- Insulation Resistance: 500V DC 1000MΩ Min
- Dielectric Strength: 1500V AC 1 Minute
- Operating Temperature: -55°C~+85°C
- Electrical Life :20,000 cycles



ORDER INFORMATION



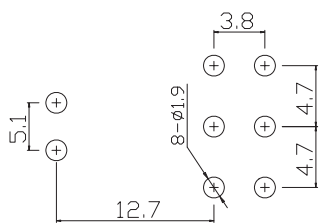
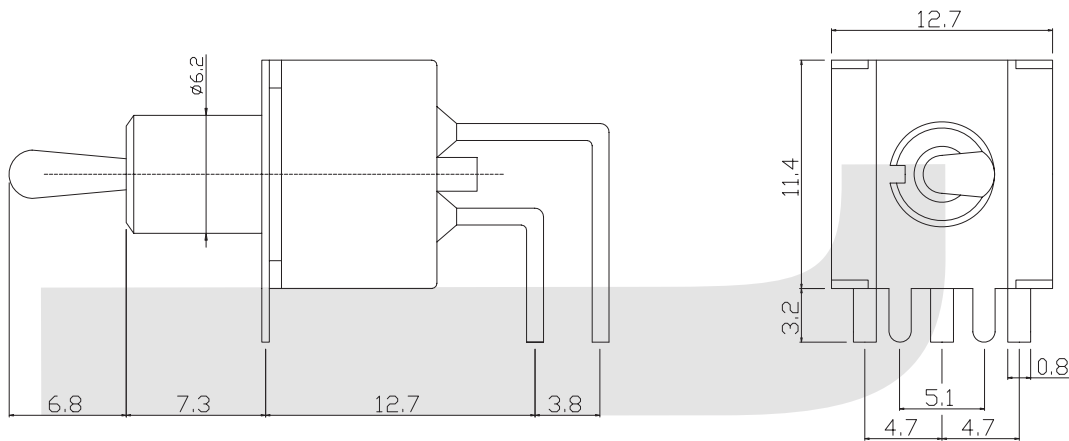
Switch

Toggle Switch Series

KLS7-MS-202-C3 Miniature Toggle Switch Series

SPECIFICATIONS

- Rating: 5A 125VAC; 2A 250VAC
- Contact Resistance: 20MΩ max
- Insulation Resistance: 500V DC 1000MΩ Min
- Dielectric Strength: 1500V AC 1 Minute
- Operating Temperature: -55°C~+85°C
- Electrical Life :20,000 cycles



PCB LAYOUT

ORDER INFORMATION

Part Number	KLS7- MS-2 02-C 3 X X	BRACKET: T=With Bracket None=Without Bracket
MS:Miniature Toggle Switch Series		Handle Cap Type: R=Red B=Black W=White Y=Yello G=Green BL=Blue
POLES: 1=Single Pole 2=Double Pole		Terminal Type: 1=Solder terminal 2=Pc terminal 3=Pc-H terminal 4=Pc-V terminal
CIRCUIT: 01=ON-OFF 02=ON-ON 03=ON-OFF-ON		Handle Type: A=Standard C=Short